



LG 2020

Stairlift wheel with chair

LG 2020 is the solution able to meet all the needs for Stair Climbing mobility. Due to its lightweight and compact size, it allows easy maneuverability in tight spaces. It is strong and durable with an autonomy that is second to none. The new and exclusive upward movement makes the lift wheel LG2020 best and fastest available today in the market.



**FAST
LIGHT
STRONG
COMFORTABLE**



New upward movement

The new rear support allows an assisted effortless and comfortable climb





The new rear support is adjustable according to the different heights of steps increasing the security and stability without the need to seek the point of equilibrium.



The new stairway climber LG2020/30 is the choice to have a safety, light and at the same time a strong machine to overcome stairs of 30 cm height



Control panel

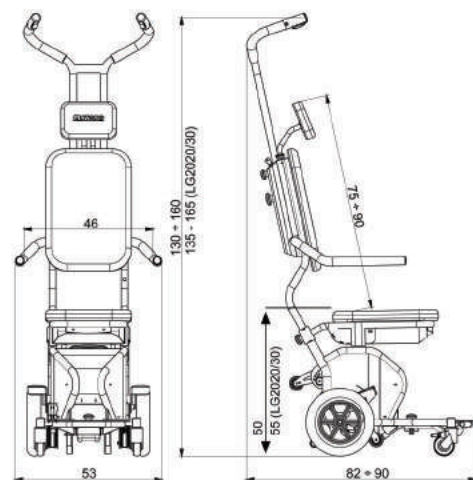
- **Potentiometer** for speed adjustment
- **Mode dial** to "step by step" or sequential rise and fall
- **Battery charge** level indicator
- **Ignition key**
- **Emergency** button
- **Upper adjustment**
- **Lower adjustment**



Compact and **easy to disassemble**

Technical details :

Maximum speed	: 36 steps per minute
Total weight	: 44 Kg
Weight of the handle bar with controls	: 10 Kg
Weight of the base equipment	: 24 Kg
Weight of the chair	: 10 Kg
Max dimension	: 53x82 Cm
Motor power	: 350 W 350 W
Battery charger power supply	: 220 V 220 V
Maximum transportable weight	: 160 Kg 130 Kg
Operating range when in reserve battery	: 40 Steps
Minimum stairs dimension	: 58 Cm
Minimum dimension of "L shaped landing	: 100x75 Cm
Minimum dimensions of "U" shaped landing	: 100x120
Packaging dimension	: 97x57x70 cm
Operating range	: 560 Steps (with loading capacity 160 Kg) 800 Steps (with loading capacity 90 Kg)



Able to climb round stairs



NuK Healthcare